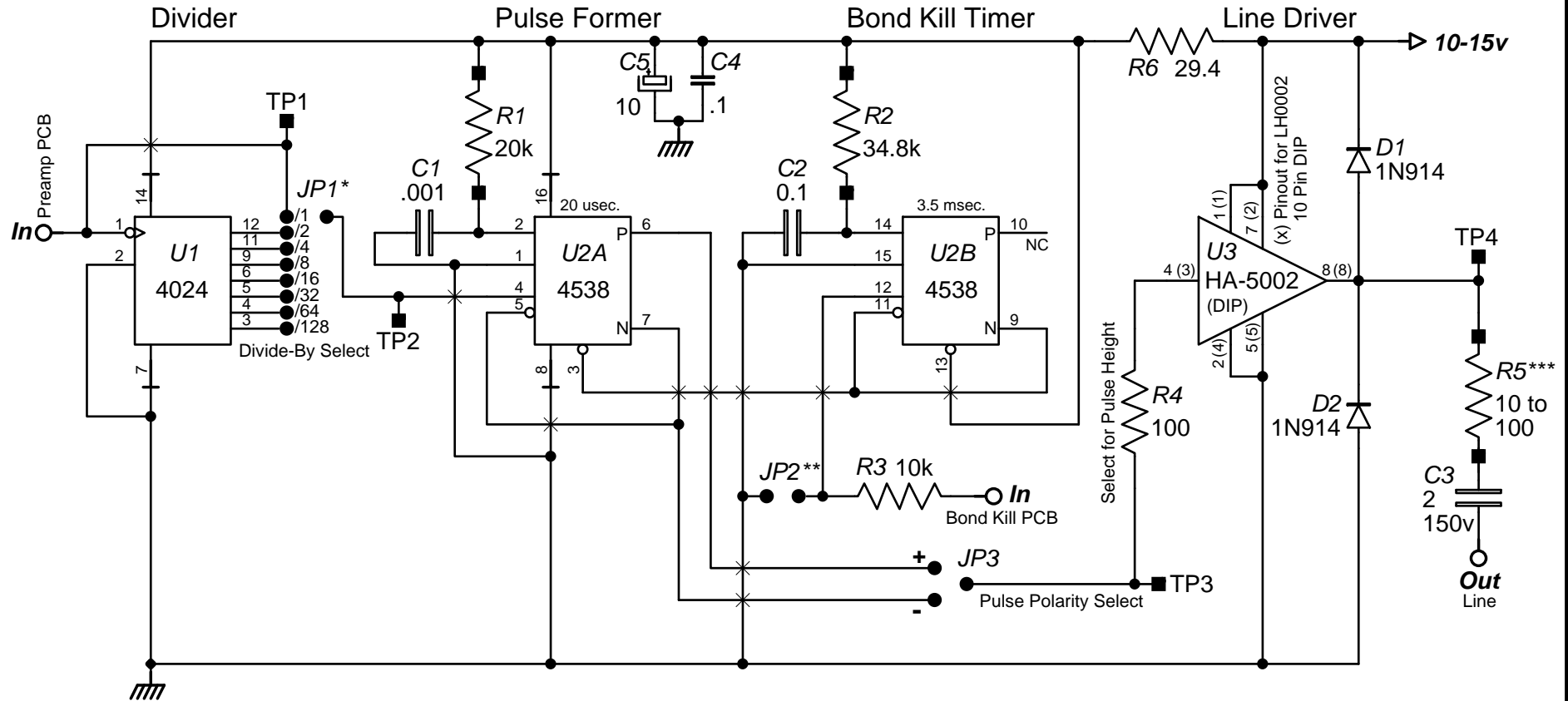


DIVIDER / PULSE FORMER / LINE DRIVER

Bell Style Single Channel - Bond Kill Ready



Copyright 2007 by AnaLog Services, Inc. All rights reserved. Reproduction is unlawful without express written permission.

NOTES:

- * Gamma /1 or /2, G-M /1, Neutron /2 or /4, 4 pi /8, Tracer /8 or /16
- ** If bond kill is not used, install jumper at JP2.
- *** R5 required for simultaneous bond logging; 10 ohms minimum.

AnaLog Services, Inc.

1169 Haynesville Road - Reynolds Station, KY 42368 (270) 276-5671 Fax: (270) 276-5588

Single Channel Line Driver		DHLD1.sch
Sheet Size: A	Creation Date: 07/28/2007	Drawn By: Syd H. Levine
Revision: 1.0	Modify Date: 11/16/2009	Sheet 1 of 1