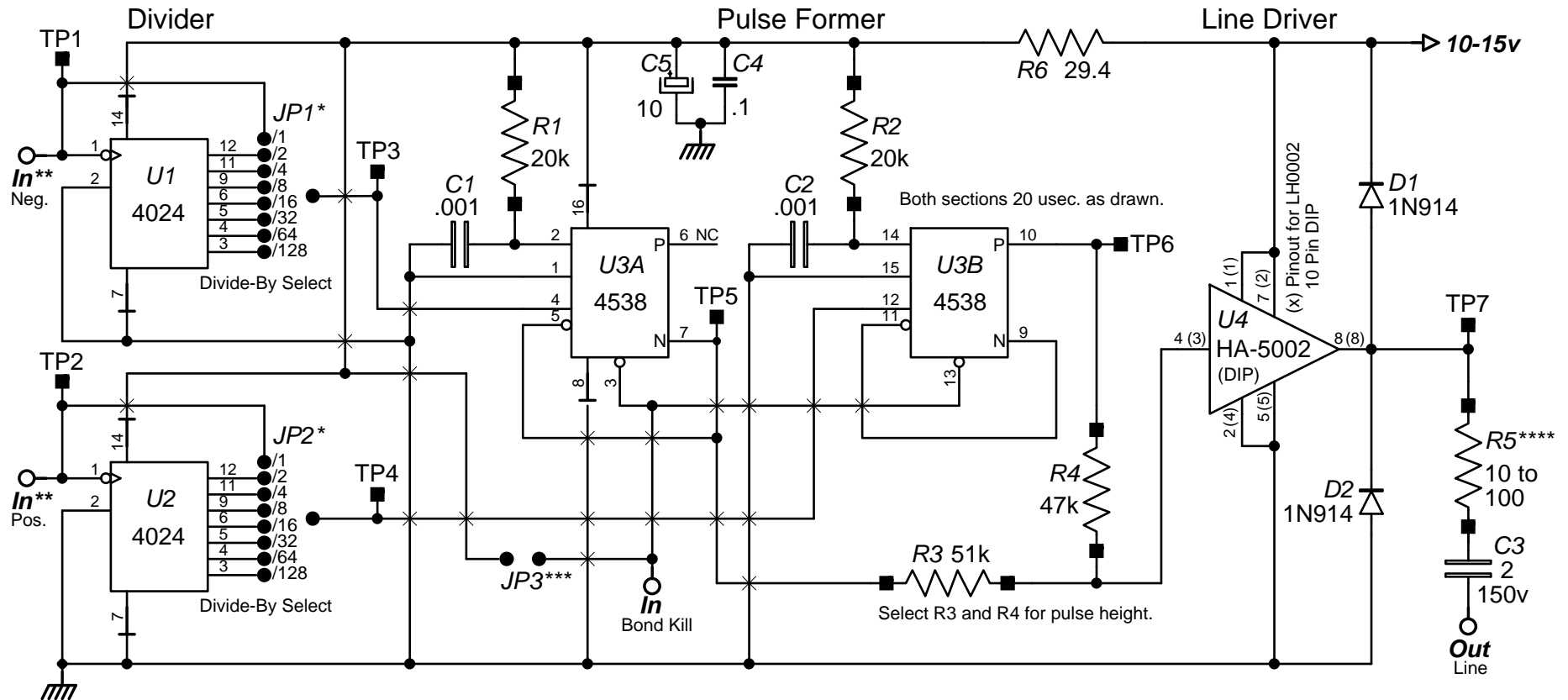


# DIVIDER / PULSE FORMER / LINE DRIVER

Dual Channel - Bond Kill Ready



Copyright 2007 by AnaLog Services, Inc. All rights reserved. Reproduction is unlawful without express written permission.

**NOTES:**

- \* Gamma /1 or /2, G-M /1, Neutron /2 or /4, 4 pi /8, Tracer /8 or /16
- \*\* Ground any unused pulse input.
- \*\*\* If bond kill is not used, install jumper at JP3 ("clear" inputs to B+).
- \*\*\*\* R5 required for simultaneous bond logging; 10 ohms minimum.

www.logwell.com

## AnaLog Services, Inc.

1169 Haynesville Road - Reynolds Station, KY 42368 (270) 276-5671 Fax: (270) 276-5588

Divider Line Driver

DHLD2.sch

Sheet Size: A

Creation Date: 08/25/2007

Drawn By: Syd H. Levine

Revision: 1.0

Modify Date: 11/16/2009

Sheet 1 of 1