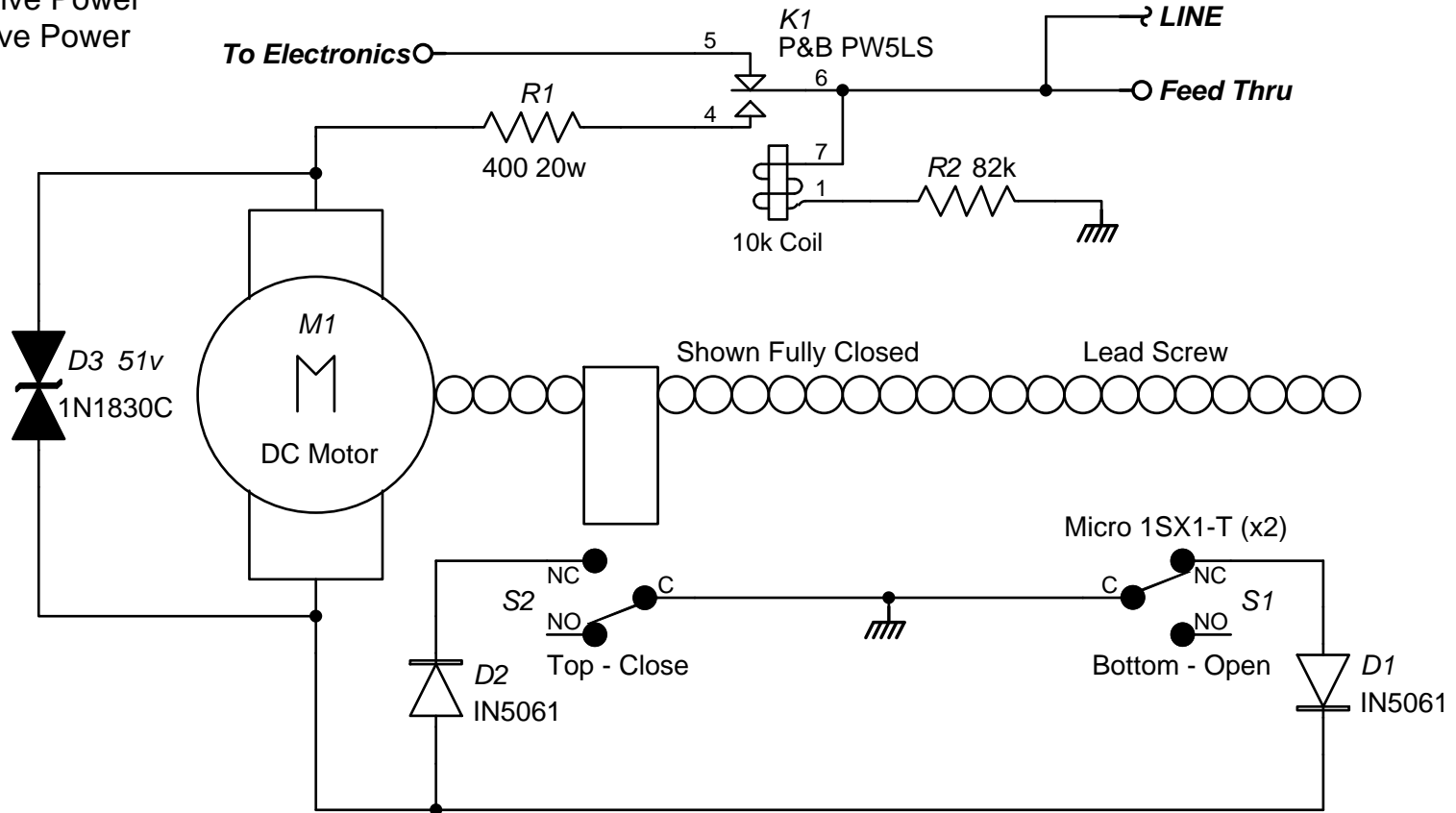


CALIPER TOOL MOTOR CONTROL

GO / GOI / WR Relay Version

Open - Negative Power
Close - Positive Power



Globe M43M8 / 43A149-3 Gearmotor
100ma (NL) - 200+ma (FL) @ 27v, 733:1 Reduction

Copyright 2009 by AnaLog Services, Inc. All rights reserved.
Reproduction is unlawful without express written permission.

AnaLog Services, Inc.

1169 Haynesville Road - Reynolds Station, KY 42368 (270) 276-5671 Fax: (270) 276-5588

Caliper Motor Control

CALM2.sch

Sheet Size: A

Creation Date: 02/23/2009

Drawn By: Syd H. Levine

Revision: 1.0

Modify Date: 11/16/2009

Sheet 1 of 1

www.logwell.com

PCB: CALM-2