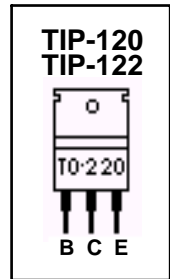
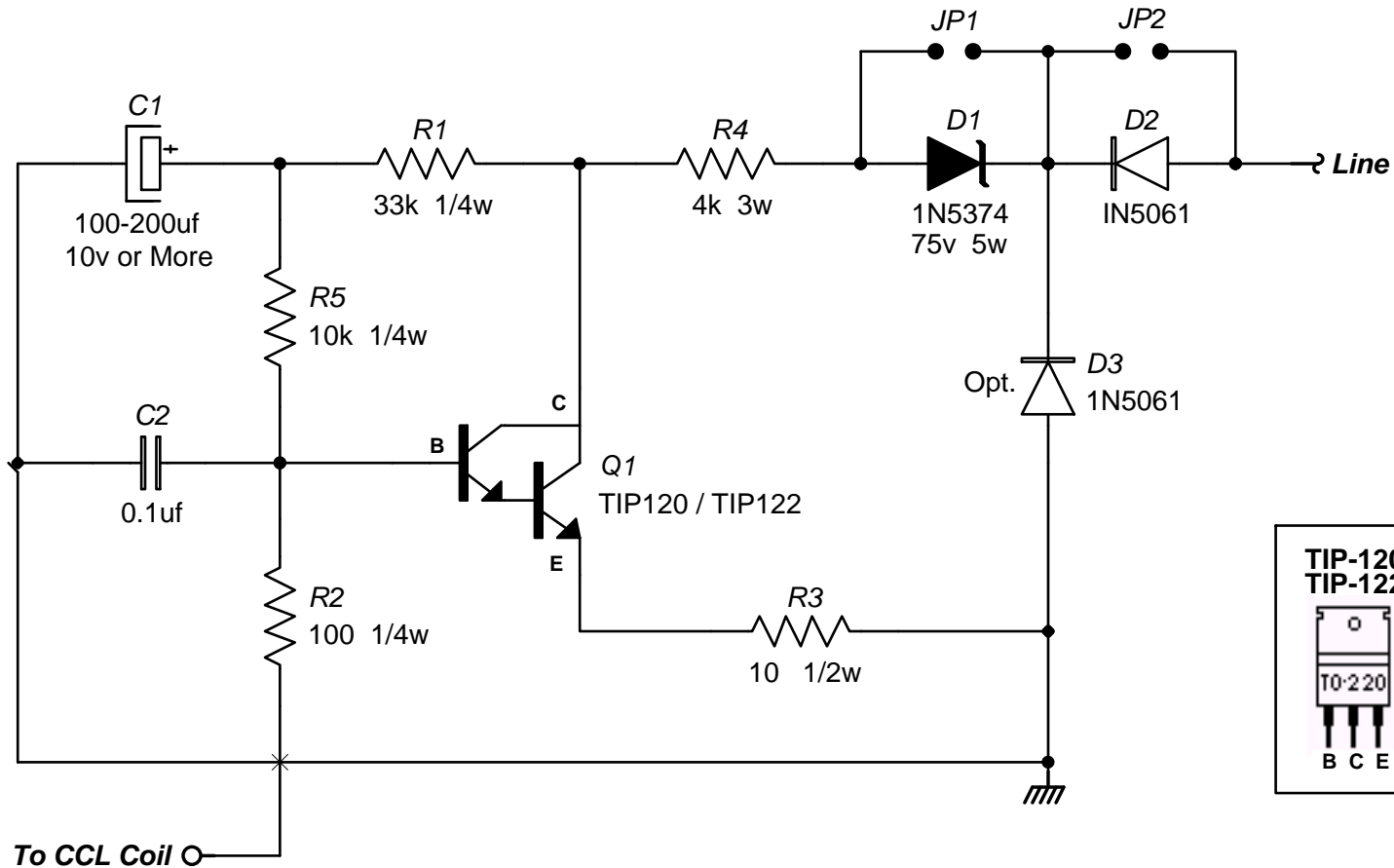


TIP-120 STYLE DOWNHOLE CCL AMPLIFIER



Copyright 2007 by AnaLog Services, Inc. All rights reserved. Reproduction is unlawful without express written permission.

NOTES:
 For 30-50 volt operation, omit D1 and install jumper.
 Use the TIP-122 for a more "bullet proof" circuit.
 Coil resistance is not critical; 1-5 kilohms works fine.
 This circuit typically draws 5-8 milliamps at 120 volts.

AnaLog Services, Inc.		
1169 Haynesville Road - Reynolds Station, KY 42368 (270) 276-5671 Fax: (270) 276-5588		
TIP-120 CCL Amplifier		CCL-2a.sch
Sheet Size: A	Creation Date: 07/30/2007	Drawn By: Syd H. Levine
Revision: 1.0	Modify Date: 11/12/2009	Sheet 1 of 1

www.logwell.com

PCB: CCL-2a Rev.B