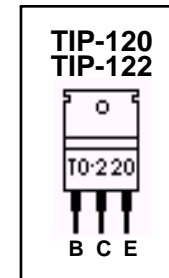
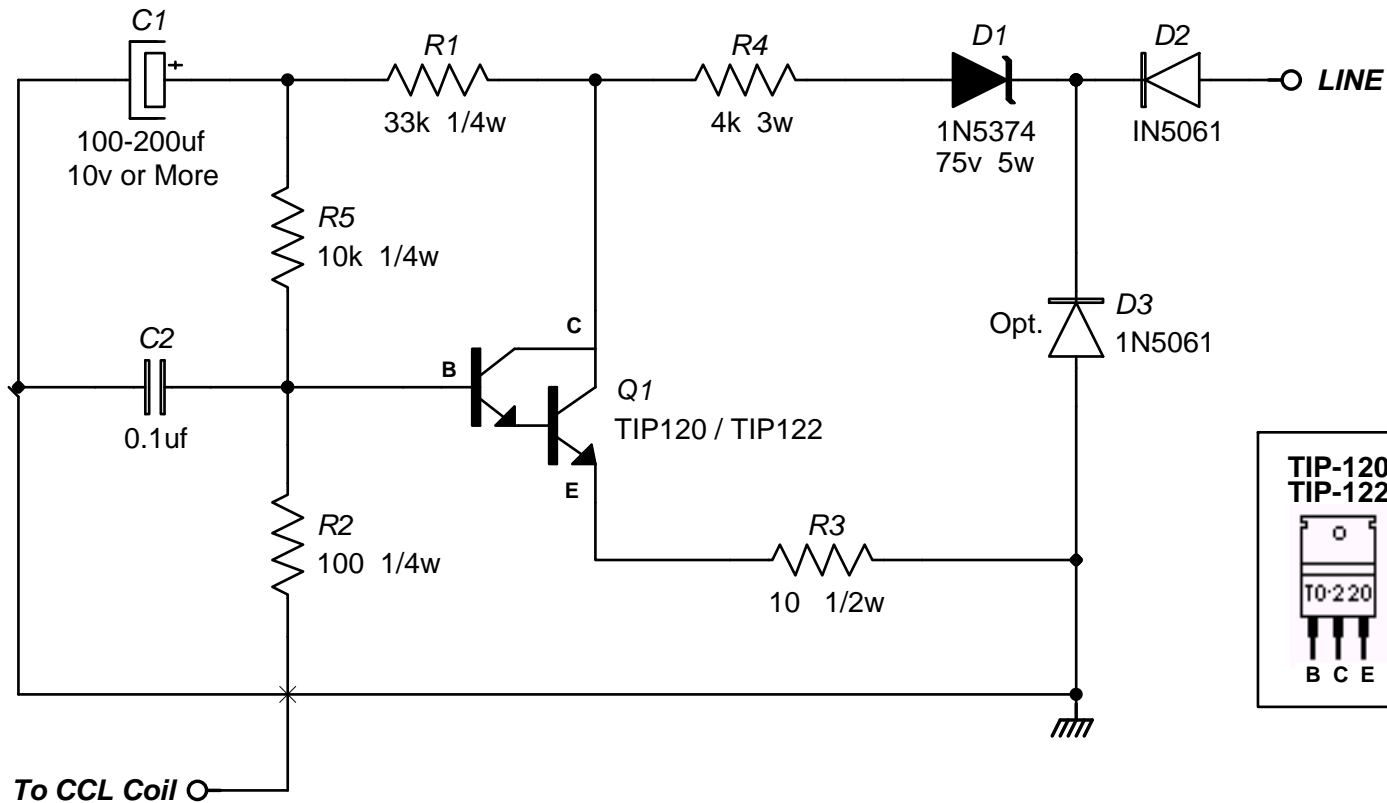


TIP-120 STYLE DOWNHOLE CCL AMPLIFIER



Copyright 2007 by AnaLog Services, Inc. All rights reserved.
Reproduction is unlawful without express written permission.

NOTES:

Use the TIP-122 for a more "bullet proof" circuit.
Coil resistance is not critical; 1-5 kilohms works fine.
This circuit typically draws 5-8 milliamps at 120 volts.

AnaLog Services, Inc.

1169 Haynesville Road - Reynolds Station, KY 42368 (270) 276-5671 Fax: (270) 276-5588

TIP-120 CCL Amplifier

CCL-NCB.sch

Sheet Size: A

Creation Date: 07/30/2007

Drawn By: Syd H. Levine

Revision: 1.0

Modify Date: 12/05/2007

Sheet 1 of 1