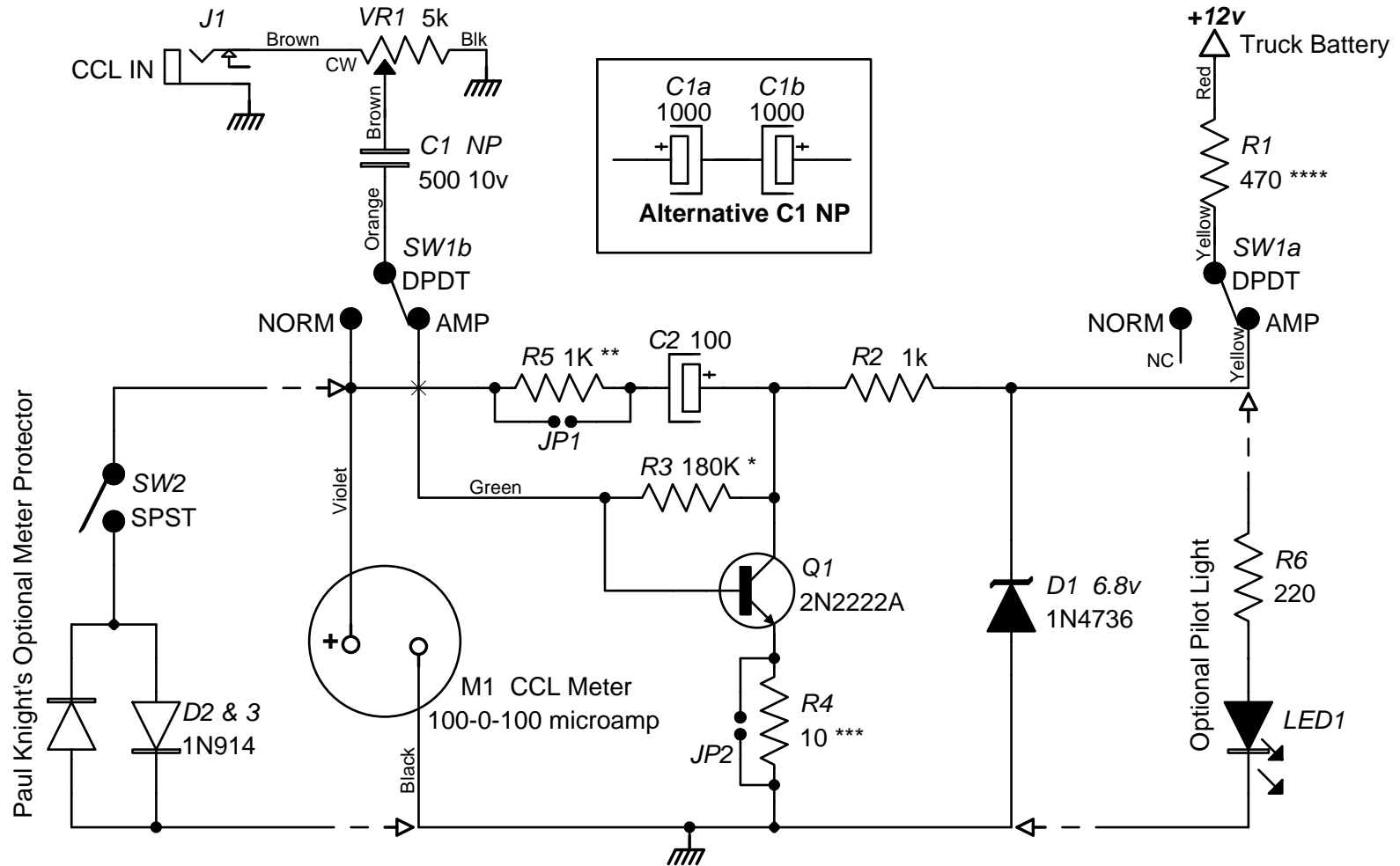


CCL METER



Copyright 2000 by AnaLog Services, Inc. All rights reserved.
 Reproduction is unlawful without express written permission.

NOTES:

- * Select R3 for approximately 3 volts at collector (not critical).
- ** Omit R5 if M1 is to be a 500-0-500 microamp meter (shunt JP1).
- *** Omit emitter resistor R4 for maximum gain (shunt JP2).
- **** R1 is 200 ohms when using the optional LED pilot.

AnaLog Services, Inc.

1169 Haynesville Road - Reynolds, Station, KY 42368 (270) 276-5671 Fax: (270) 276-5588

CCL Meter

CCLM1a.sch

Sheet Size: A

Creation Date: 10/21/2000

Drawn By: Syd H. Levine

Revision: 1.0

Modify Date: 04/22/2008

Sheet 1 of 1