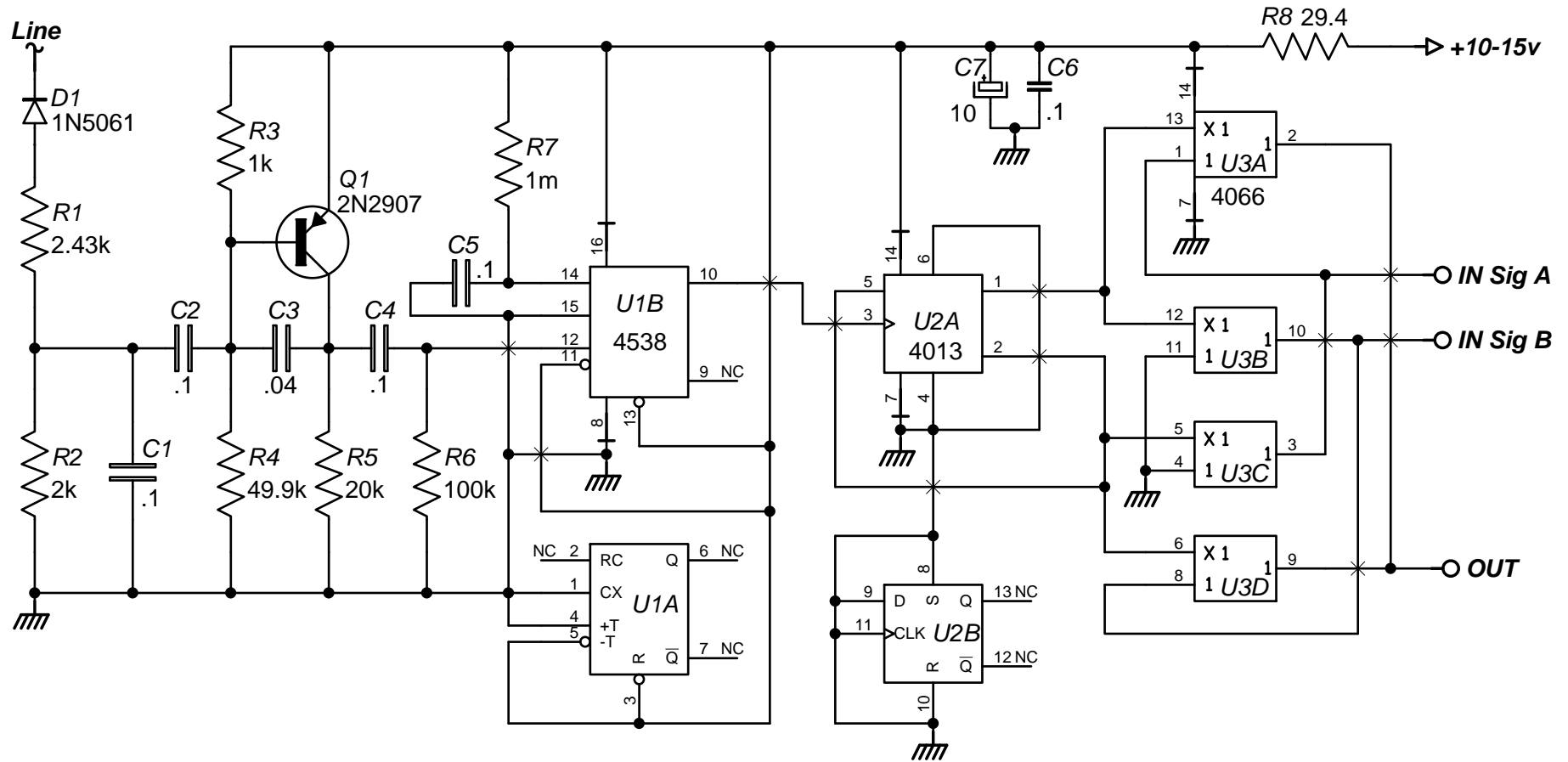


DOWNHOLE CEMENT BOND TOOL CALIBRATOR SWITCHING CIRCUIT

CRC / Western Solid State Version



Copyright 2009 by AnaLog Services, Inc. All rights reserved.
Reproduction is unlawful without express written permission.

NOTES:

Momentary negative voltage switches between inputs.

AnaLog Services, Inc.

1169 Haynesville Road - Reynolds Station, KY 42368 (270) 276-5671 Fax: (270) 276-5588

Downhole Line Switch

DHSW5.sch

Sheet Size: A

Creation Date: 03/23/2009

Drawn By: Syd H. Levine

Revision: 1.0

Modify Date: 11/16/2009

Sheet 1 of 1