

A

GO COSMOS SCINTILLATION GAMMA RAY PREAMP

For "Hot" PMTs (R-268, etc.) - Improved Discrimination

B

C

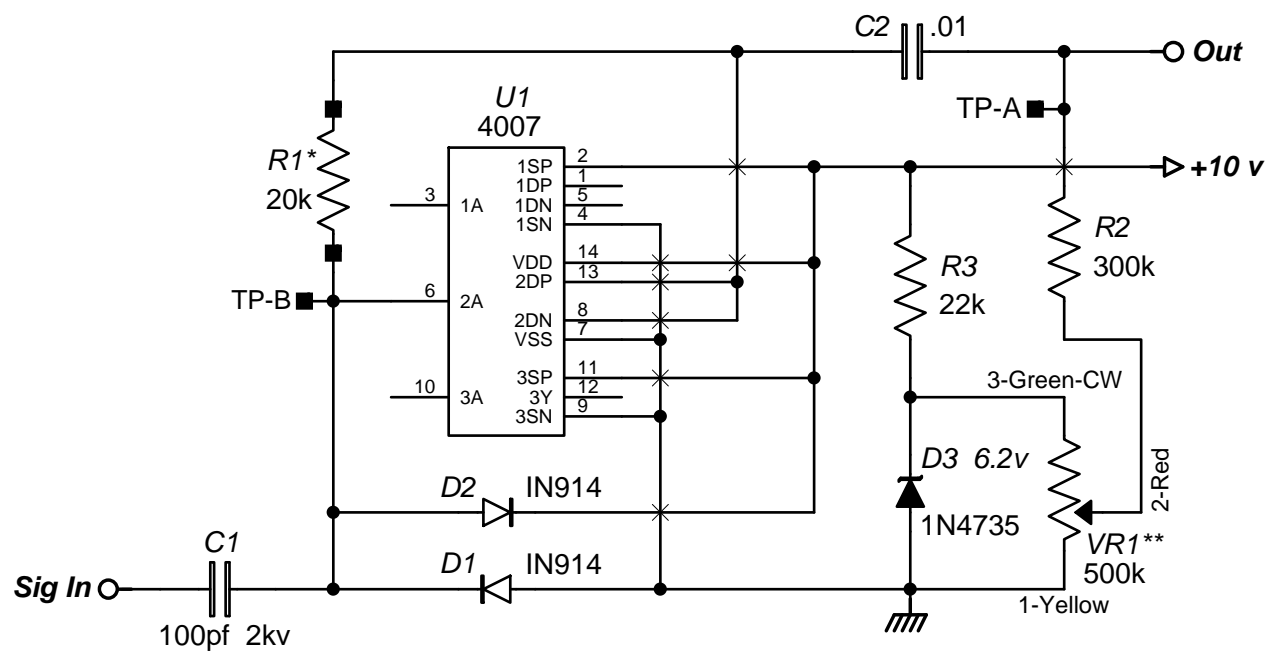
D

E

F

G

H



Copyright 2007 by AnaLog Services, Inc. All rights reserved. Reproduction is unlawful without express written permission.

NOTES:
 * R1 sets gain; select in the range of 10k to 50k ohms or so.
 ** Adjust VR1 discrimination using DVM at TP-A.
 Use this circuit down to about 0.5 volt peak pulse height at TP-B with R1 60k.

AnaLog Services, Inc.

1169 Haynesville Road - Reynolds Station, KY 42368 (270) 276-5671 Fax: (270) 276-5588

GO COSMOS GR Amp GOGRP2.sch

Sheet Size: A Creation Date: 08/26/2007 Drawn By: Syd H. Levine
 Revision: 1.0 Modify Date: 11/16/2009 Sheet 1 of 1