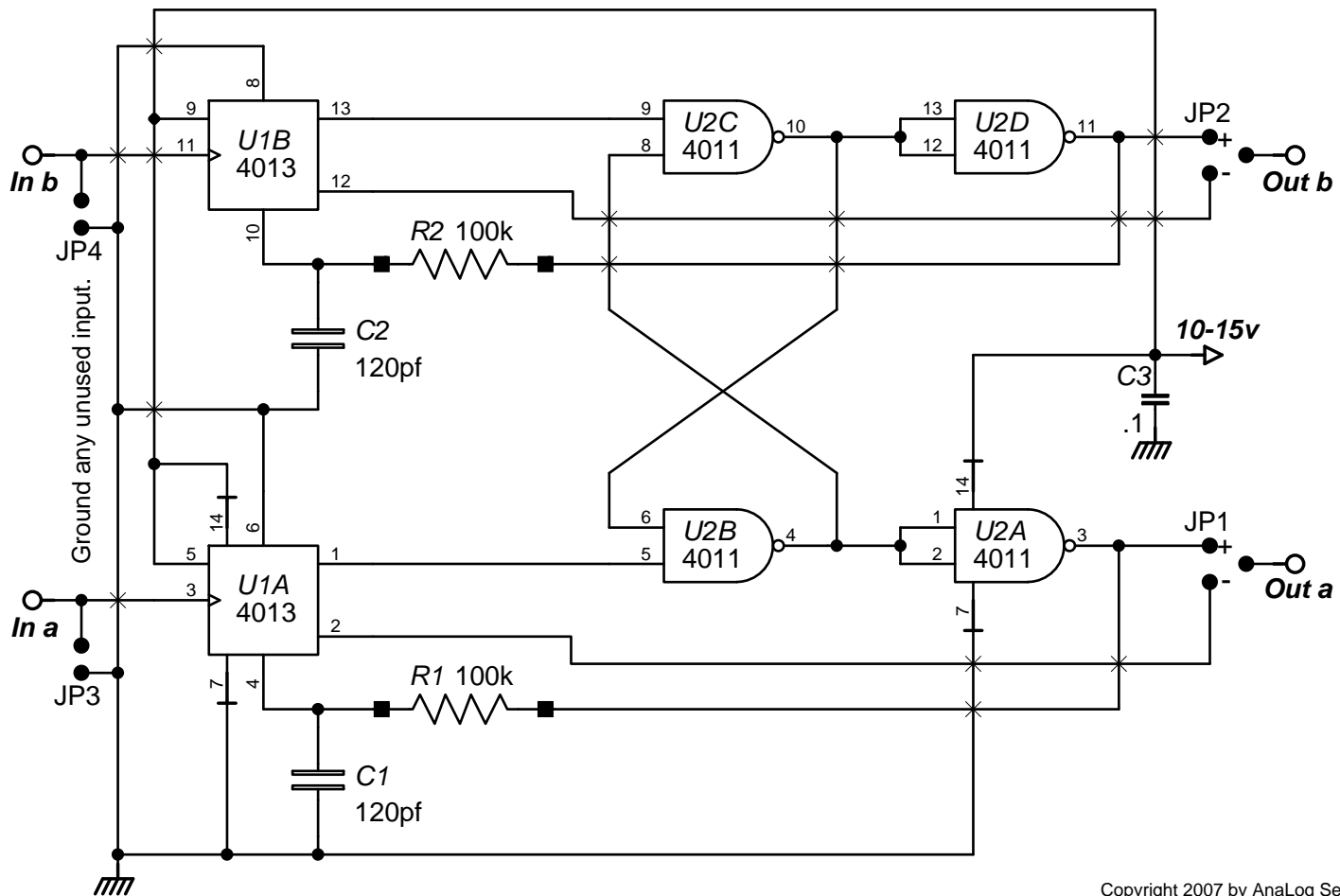


1 2 3 4 5 6 7 8

A 106 RADIATION TOOL ANTI-COINCIDENCE CIRCUIT
GO Style



Copyright 2007 by AnaLog Services, Inc. All rights reserved.
Reproduction is unlawful without express written permission.

AnaLog Services, Inc.

1169 Haynesville Road - Reynolds Station, KY 42368 (270) 276-5671 Fax: (270) 276-5588

Anti-Coincidence Circuit		106AC1.sch
Sheet Size: A	Creation Date: 08/01/2007	Drawn By: Syd H. Levine
Revision: 1.0	Modify Date: 12/17/2007	Sheet 1 of 1

B
C
D
E
F
G
H