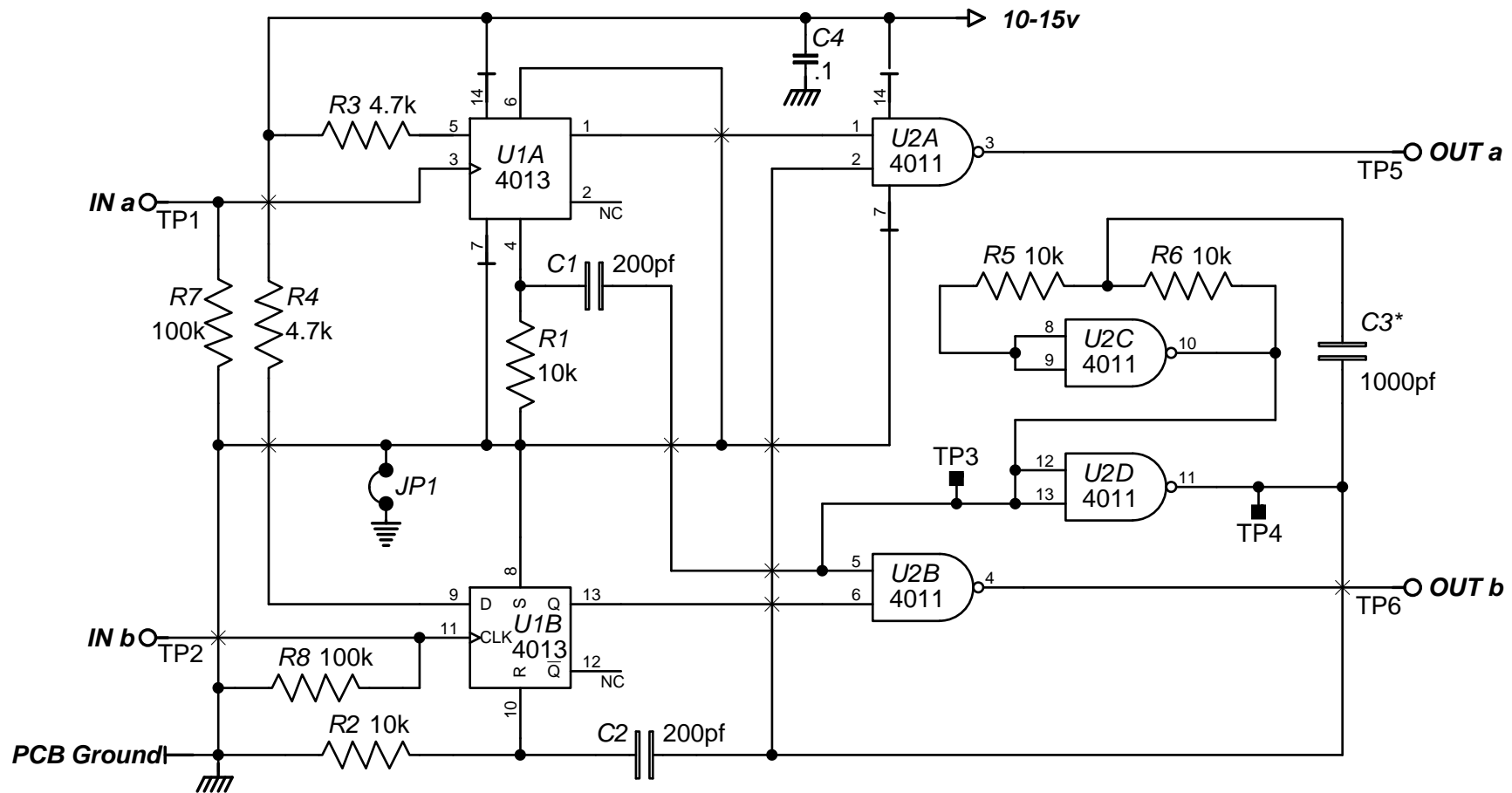


106 RADIATION TOOL ANTI-COINCIDENCE CIRCUIT

Robert Baer's Ingenious Circuit



Copyright 2007 by AnaLog Services, Inc. All rights reserved.
Reproduction is unlawful without express written permission.

NOTES:

- * Select C3 for appropriate clock frequency; about 42 kHz as shown. 2200 pf gives a clock frequency of about 21 kHz (about 23 useconds). R5 and R6 can also be selected to fine tune clock frequency.

AnaLog Services, Inc.

1169 Haynesville Road - Reynolds Station, KY 42368 (270) 276-5671 Fax: (270) 276-5588

Anti-Coincidence Circuit

106AC3.sch

Sheet Size: A

Creation Date: 08/24/2007

Drawn By: Syd H. Levine

Revision: 1.0

Modify Date: 11/13/2009

Sheet 1 of 1