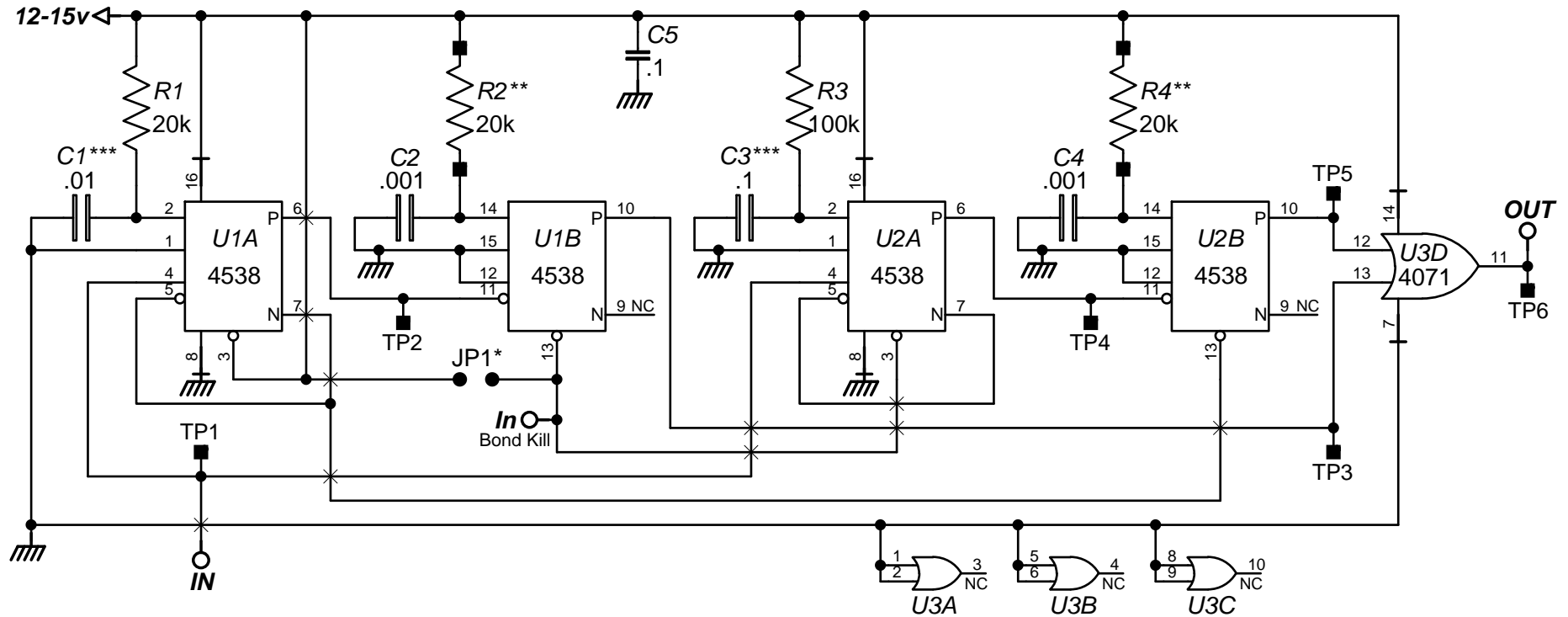


106 RADIATION TOOL PULSE DOUBLER / FORMER

Bond Kill Ready (106BK2)



Copyright 2008 by AnaLog Services, Inc. All rights reserved.
Reproduction is unlawful without express written permission.

NOTES:

This circuit doubles the input pulses for better statistical performance.

* If bond kill is not used, install jumper at JP1 ("clear" inputs to B+).

** Output pulses about 20 microseconds wide with values shown.

*** C1 and C3 values shown are for very low count rates.

AnaLog Services, Inc.

1169 Haynesville Road - Reynolds Station, KY 42368 (270) 276-5671 Fax: (270) 276-5588

106 Pulse Doubler

106DB1.sch

Sheet Size: A

Creation Date: 05/13/2008

Drawn By: Syd H. Levine

Revision: 1.0

Modify Date: 07/25/2008

Sheet 1 of 1