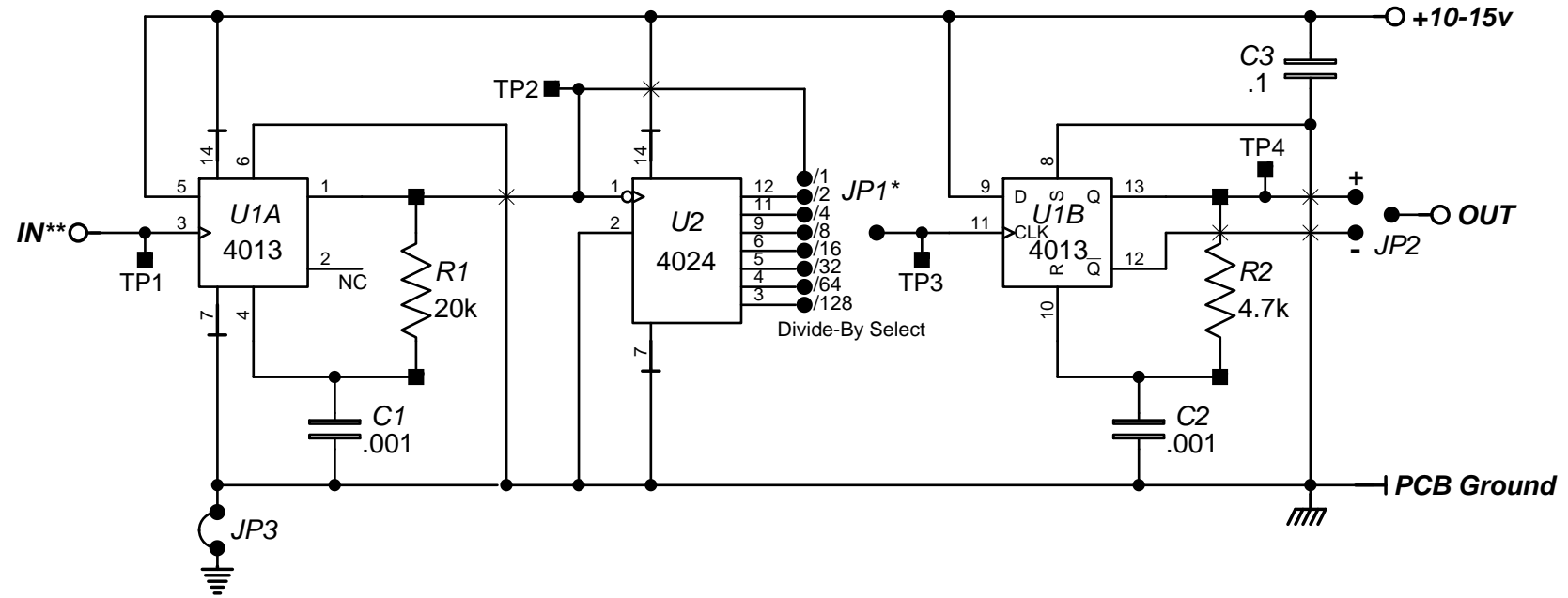


A **106 RADIATION TOOL DIVIDER**
4013 Version



Copyright 2007 by AnaLog Services, Inc. All rights reserved.
Reproduction is unlawful without express written permission.

NOTES:
* Gamma /1 or /2, G-M /1, Neutron /2 or /4, 4 pi /8, Tracer /8 or /16
** Ground any unused pulse input.
A dual assembly consists of two of the above circuits.

AnaLog Services, Inc.		
1169 Haynesville Road - Reynolds Station, KY 42368 (270) 276-5671 Fax: (270) 276-5588		
106 Divider DR-1		106DR1.sch
Sheet Size: A	Creation Date: 08/26/2007	Drawn By: Syd H. Levine
Revision: 1.0	Modify Date: 11/13/2009	Sheet 1 of 1

B
C
D
E
F
G
H