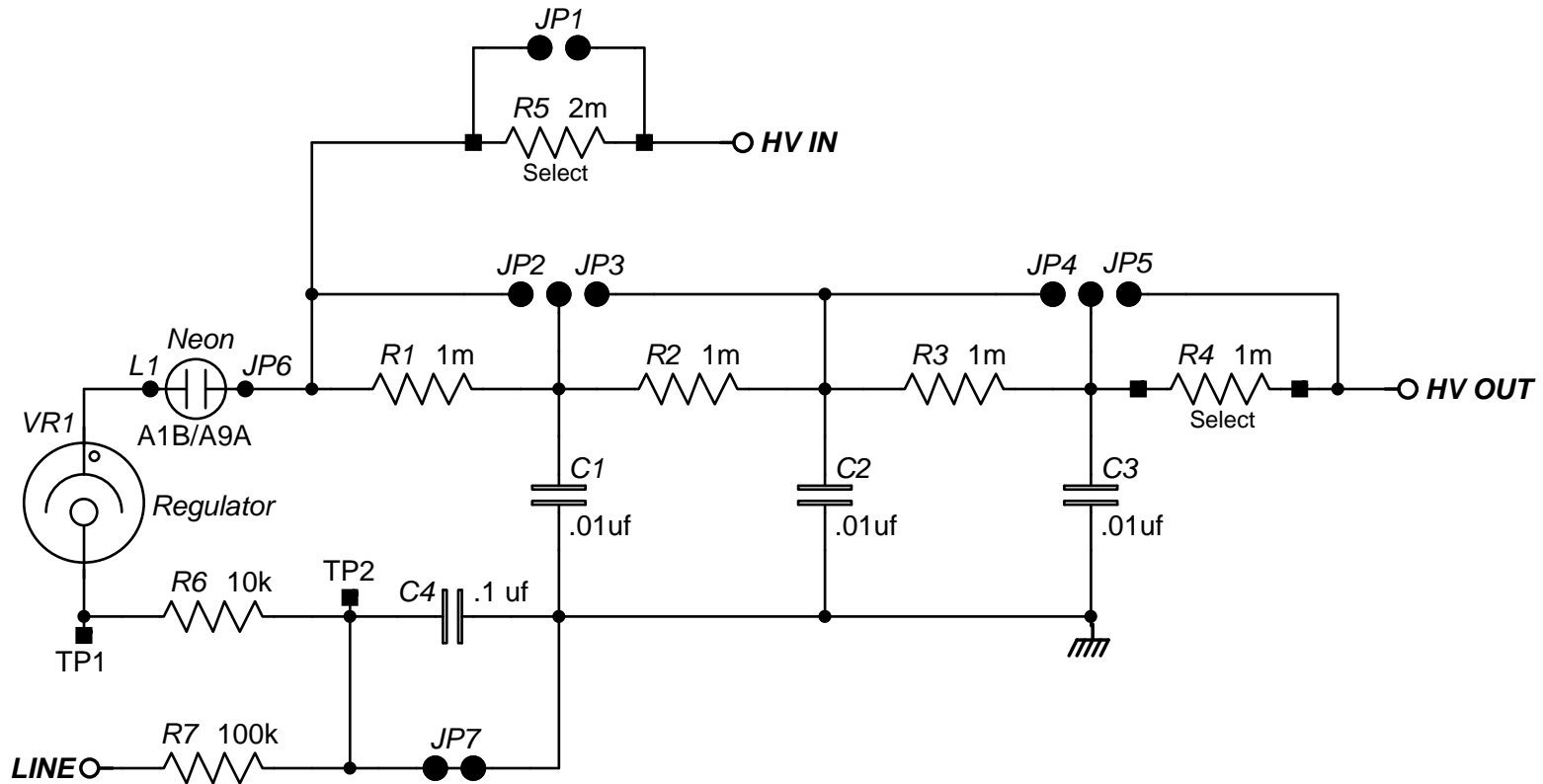


106 RADIATION TOOL HIGH VOLTAGE REGULATOR / FILTER



Copyright 2008 by AnaLog Services, Inc. All rights reserved.
 Reproduction is unlawful without express written permission.

NOTES:

Neon lamp boosts regulated voltage about 60 volts, and serves as a pilot.
 Regulator current measured across TP1 and TP2; .6 volts = 60 microamps.
 JP7 in place for normal operation; cut for 120 volt boost to HV output.
 Use either Victoreen Corotron or AnaLog Codatron regulator.

AnaLog Services, Inc.

1169 Haynesville Road - Reynolds Station, KY 42368 (270) 276-5671 Fax: (270) 276-5588

106 HV Regulator / Filter 106HVRF1.sch

Sheet Size: A	Creation Date: 04/25/2008	Drawn By: Syd H. Levine
Revision: 1.0	Modify Date: 08/17/2008	Sheet 1 of 1