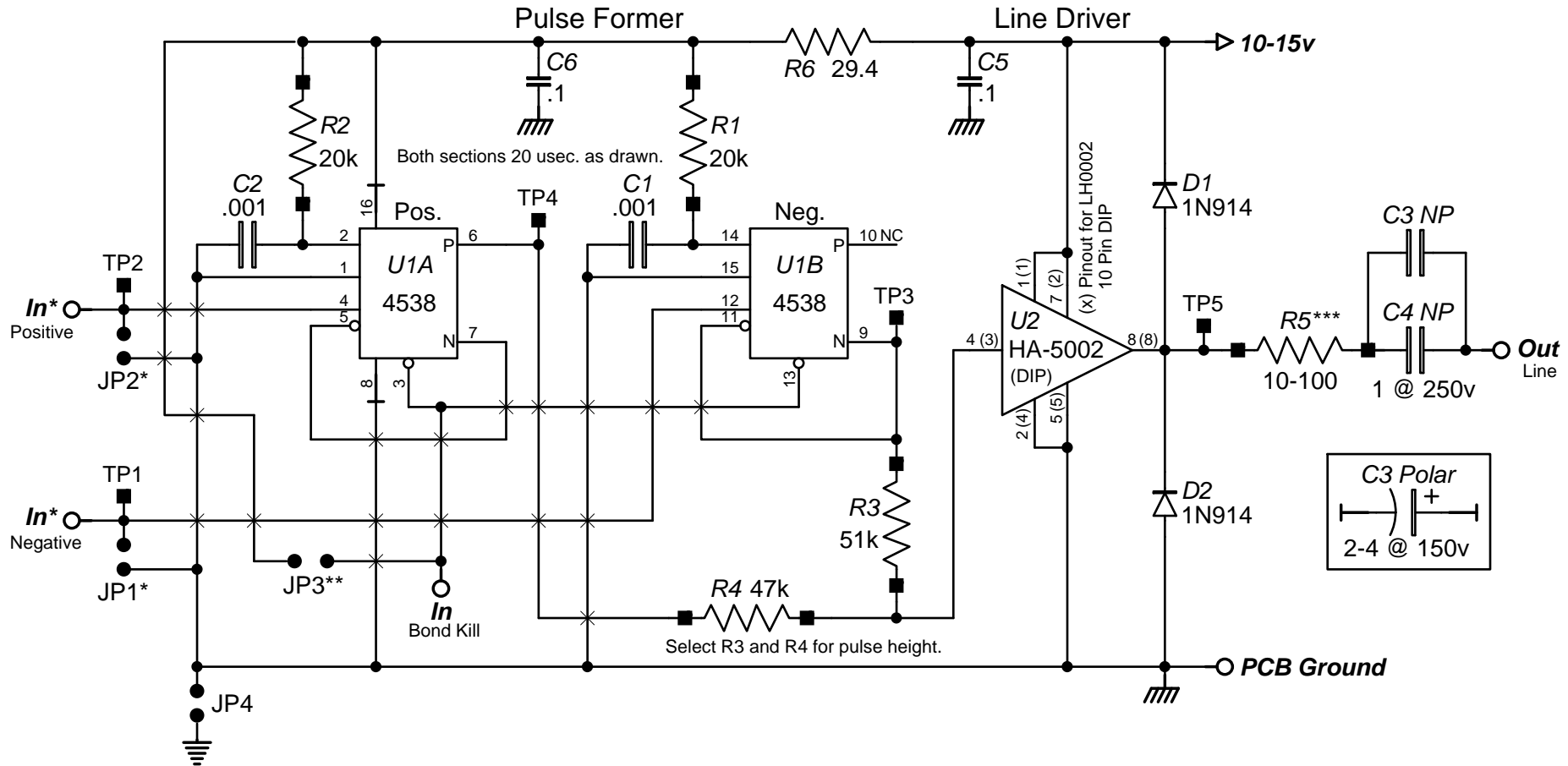


106 RADIATION TOOL PULSE FORMER / LINE DRIVER

Dual Channel - Bond Kill Ready (106BK2)



Copyright 2007 by AnaLog Services, Inc. All rights reserved. Reproduction is unlawful without express written permission.

NOTES:

- * Ground any unused pulse input by installing jumper JP1 or JP2.
- ** If bond kill is not used, install jumper at JP3 ("clear" inputs to B+).
- *** R5 required for simultaneous bond logging; 10 ohms minimum.

AnaLog Services, Inc.	
1169 Haynesville Road - Reynolds Station, KY 42368 (270) 276-5671 Fax: (270) 276-5588	
106 Line Driver	106LD3.sch
Sheet Size: A	Creation Date: 08/26/2007
Revision: 1.0	Modify Date: 10/24/2008
Drawn By: Syd H. Levine	
Sheet 1 of 1	