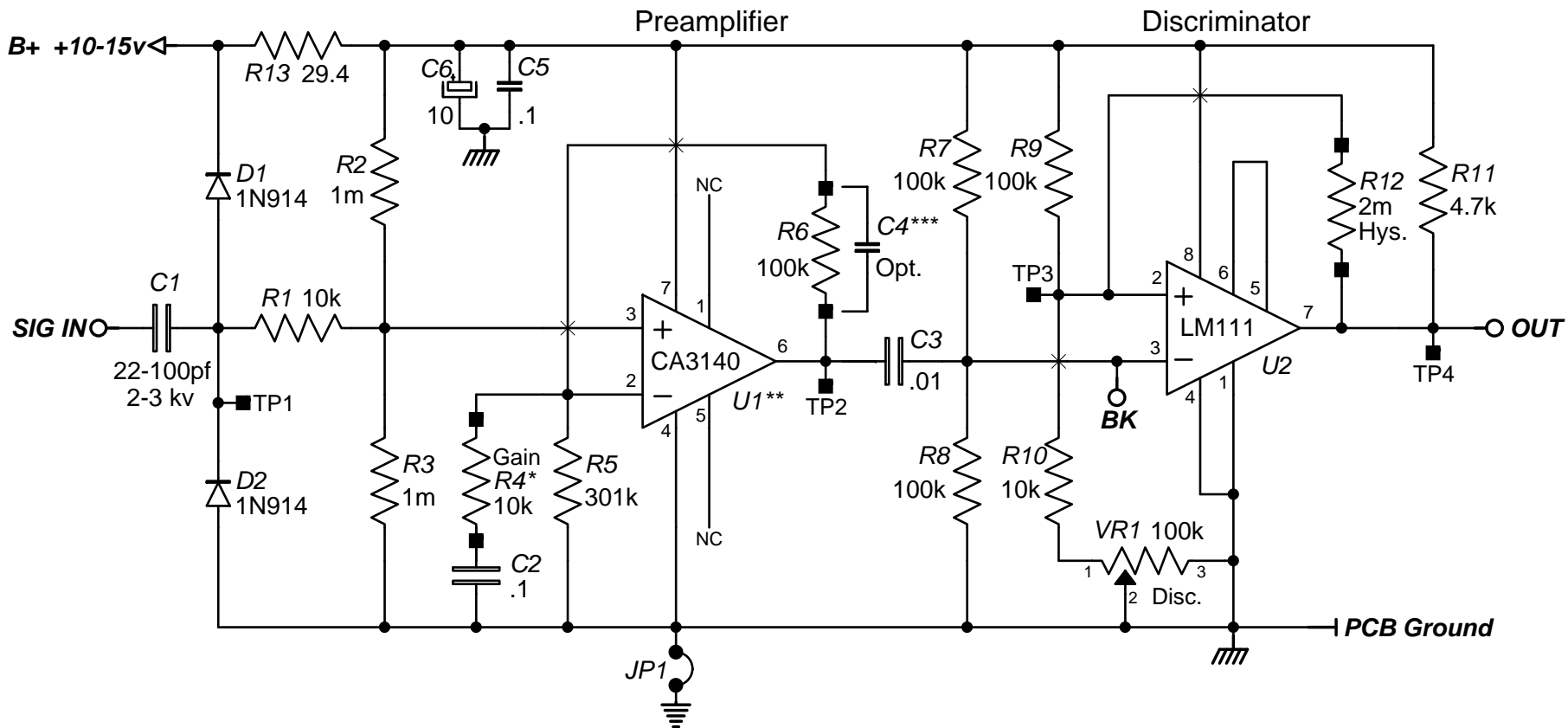


106 RADIATION TOOL NON-INVERTING PREAMP / DISCRIMINATOR



Copyright 2007 by AnaLog Services, Inc. All rights reserved. Reproduction is unlawful without express written permission.

NOTES:
 * R4 trial values: 10k for scintillation (x10), 2.2k for neutron (x50).
 ** Use LF157 or equivalent for He-3 neutron detectors.
 *** C4 not required for CA3140; may be required with other devices.

AnaLog Services, Inc.	
1169 Haynesville Road - Reynolds Station, KY 42368 (270) 276-5671 Fax: (270) 276-5588	
106 Amp / Discriminator	106PD1.sch
Sheet Size: A	Creation Date: 07/26/2007
Revision: 1.0	Modify Date: 02/10/2010
Drawn By: Syd H. Levine	
Sheet 1 of 1	