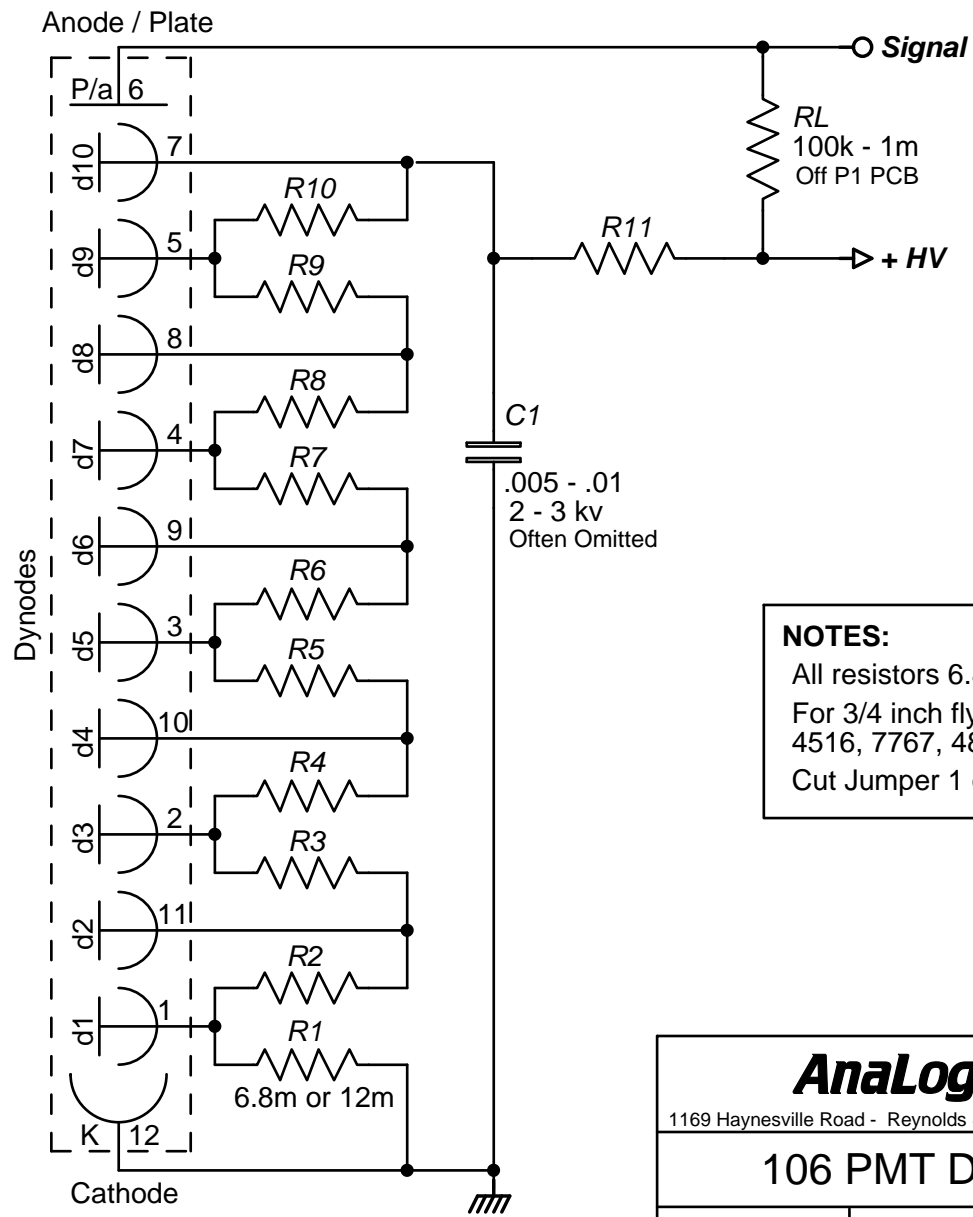


106 RAD TOOL PMT VOLTAGE DIVIDER (3/4 Inch Flying Lead Tubes - 3 Wire)



NOTES:
 All resistors 6.8 megohm.
 For 3/4 inch flying lead photomultipliers:
 4516, 7767, 4886, etc.
 Cut Jumper 1 on PMT-2 (P2) PCB.

Copyright 2008 by AnaLog Services, Inc. All rights reserved.
 Reproduction is unlawful without express written permission.

AnaLog Services, Inc.		
1169 Haynesville Road - Reynolds Station, KY 42368 (270) 276-5671 Fax: (270) 276-5588		
106 PMT Divider		106PMT2A.sch
Sheet Size: A	Creation Date: 07/01/2008	Drawn By: Syd H. Levine
Revision: 1.0	Modify Date: 07/07/2008	Sheet 1 of 1

A
B
C
D
E
F
G
H