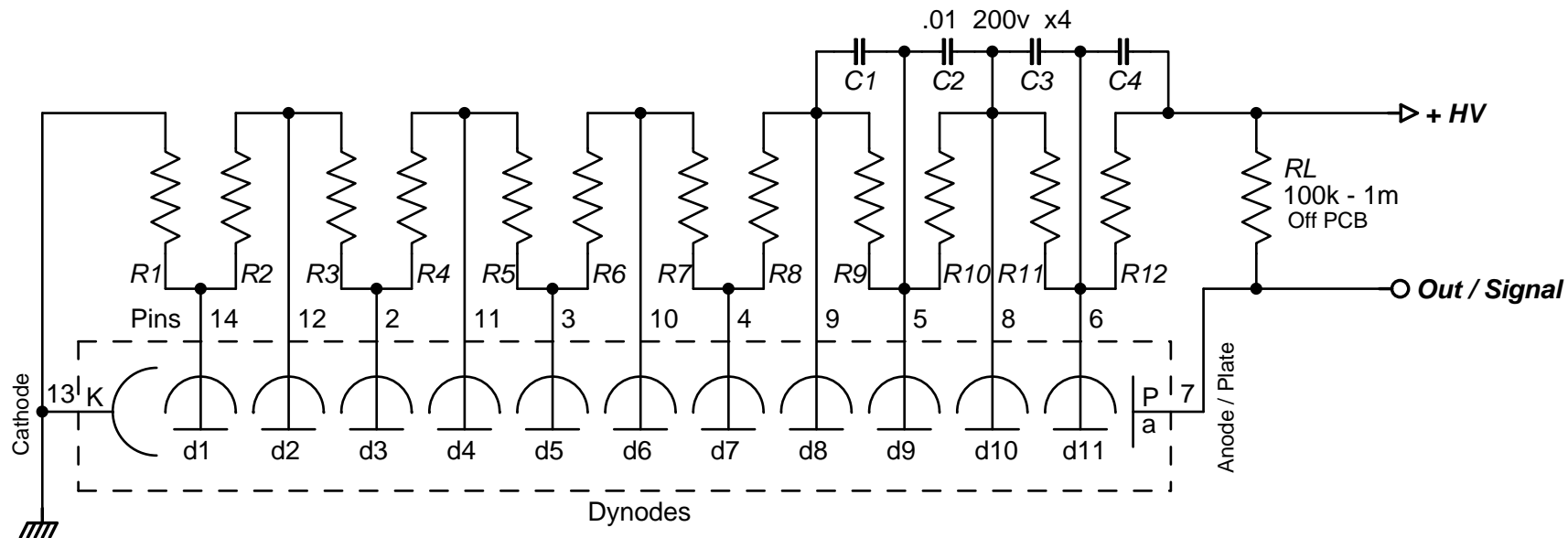


# 106 RADIATION TOOL PMT VOLTAGE DIVIDER (1-1/8" Hard Pin Tubes - 3 Wire)



Copyright 2008 by AnaLog Services, Inc. All rights reserved.  
 Reproduction is unlawful without express written permission.

**NOTES:**

For 1-1/8" inch hard pin photomultipliers:  
 9924B, R1282, R-268, R6094/6095, etc.  
 Resistors 6.8 megohm except as noted.  
 Cut Jumper 1 (JP1) on 106PMT-3c PCB.

## AnaLog Services, Inc.

1169 Haynesville Road - Reynolds Station, KY 42368 (270) 276-5671 Fax: (270) 276-5588

106 PMT Divider		106PMT3A.sch
Sheet Size: A	Creation Date: 07/01/2008	Drawn By: Syd H. Levine
Revision: 1.0	Modify Date: 05/11/2010	Sheet 1 of 1

www.logwell.com

PCB: 106PMT-3c