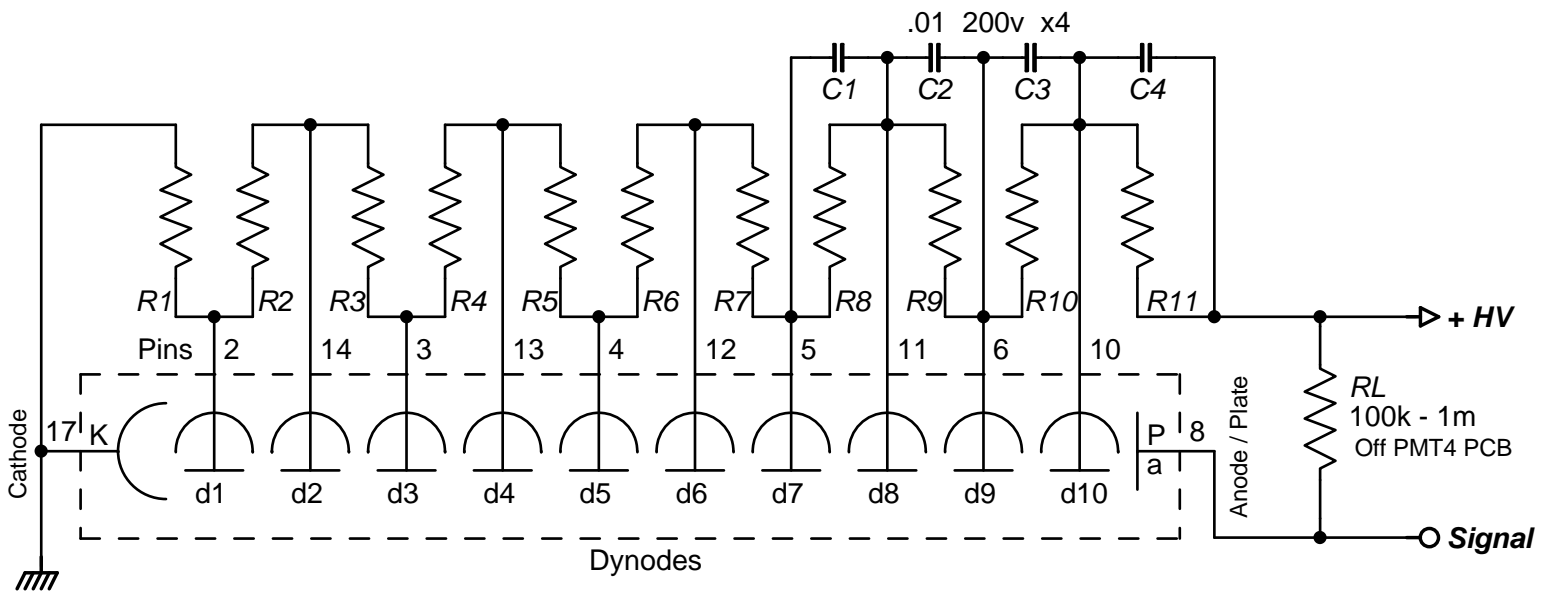


106 RADIATION TOOL PMT VOLTAGE DIVIDER (1" Flying Lead Tubes - 3 Wire)



Copyright 2008 by AnaLog Services, Inc. All rights reserved.
 Reproduction is unlawful without express written permission.

NOTES:
 For one inch flying lead photomultipliers:
 R1288, C31016, 9110FL, etc.
 Resistors 6.8 megohm except as noted.
 Cut Jumper 1 on PMT-4 PCB.

AnaLog Services, Inc.

1169 Haynesville Road - Reynolds Station, KY 42368 (270) 276-5671 Fax: (270) 276-5588

106 PMT Divider		106PMT4A.sch
Sheet Size: A	Creation Date: 07/01/2008	Drawn By: Syd H. Levine
Revision: 1.0	Modify Date: 07/10/2008	Sheet 1 of 1