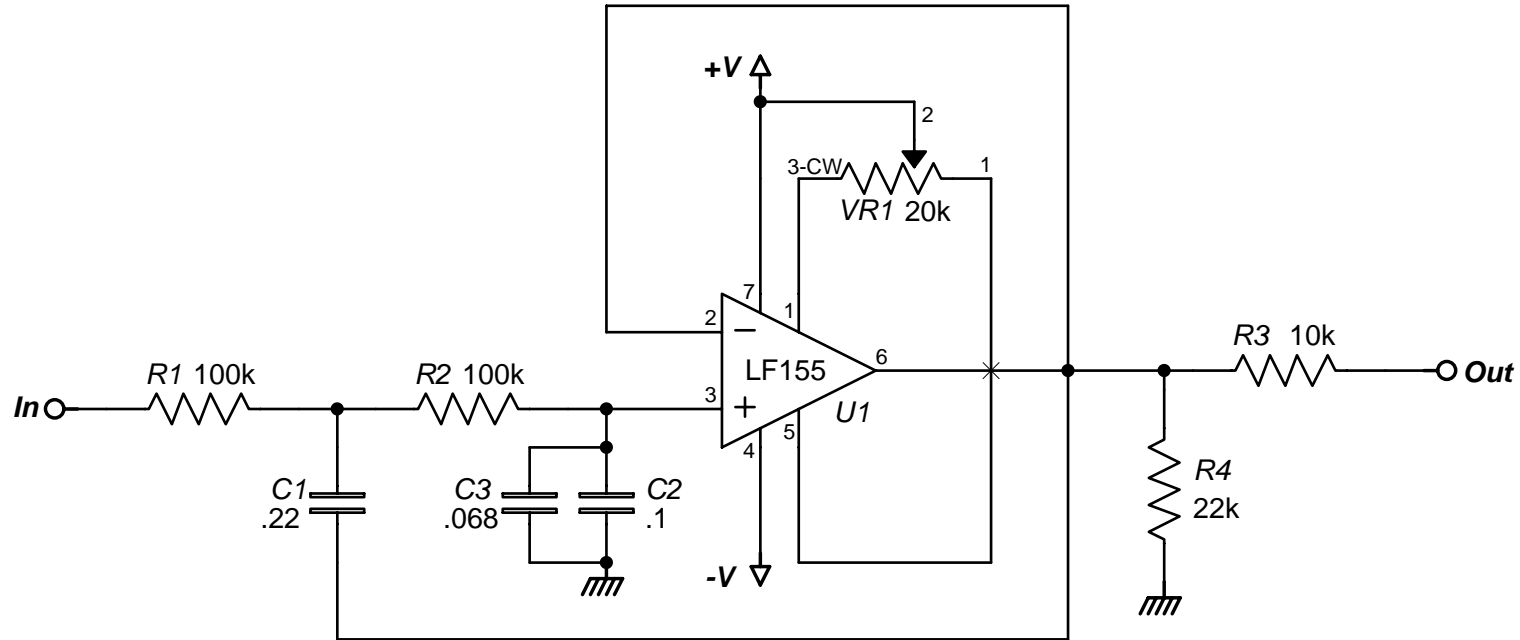


# IMPROVED SIE CEMENT BOND PANEL OUTPUT FILTER

Unity Gain Sallen-Key Low Pass Bessel / Thomson Active Filter

This gadget will improve both CBL amplitude and travel time curves. It will suppress noise and allow smaller integration capacitor values.



Copyright 2007 by AnaLog Services, Inc. All rights reserved.  
Reproduction is unlawful without express written permission.

## NOTES:

As drawn, this filter has unity gain and is -3 db at 7 Hz and -15 db at 20 Hz.  
For Butterworth response (-3 db at 10 Hz and -12 db at 20 Hz), omit C3.  
Power supply may require bypassing with both tantalum and ceramic caps.

## AnaLog Services, Inc.

1169 Haynesville Road - Reynolds Station, KY 42368 (270) 276-5671 Fax: (270) 276-5588

CBL Low Pass Filter

CBLF1.sch

Sheet Size: A

Creation Date: 08/28/2007

Drawn By: Syd H. Levine

Revision: 1.0

Modify Date: 08/30/2007

Sheet 1 of 1