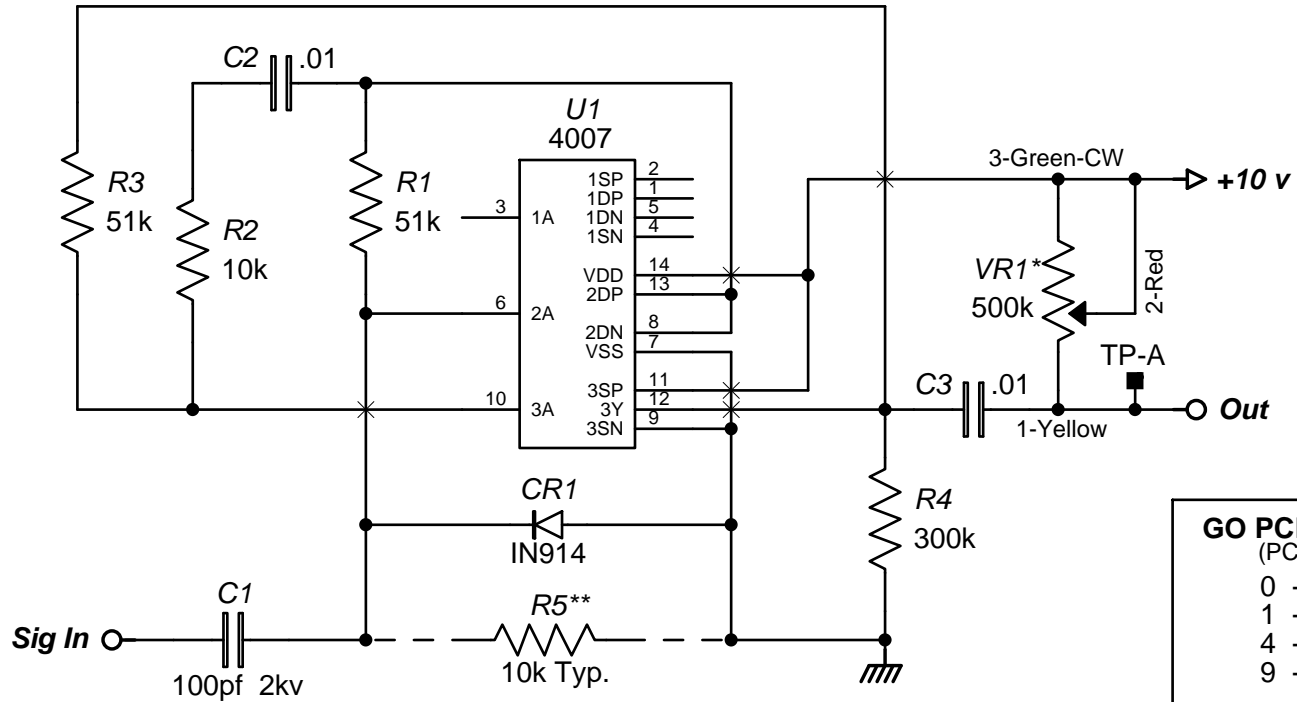


# GO COSMOS SCINTILLATION GAMMA RAY PREAMP

Stock Version - Thermistor Removed



**GO PCB Terminations**  
(PCB 02-9205-72)

- 0 - Ground
- 1 - Signal Out
- 4 - +10 Volts
- 9 - Signal In

Copyright 2007 by AnaLog Services, Inc. All rights reserved.  
Reproduction is unlawful without express written permission.

**NOTES:**

- \* Adjust discrimination using DVM at TP-A; beware of nonlinear region.
- \*\* Use R5 for "hot" PMTs (R-268, etc.); do not use unless unavoidable.

Stage 1 gain set by R1; can be as low as 10k or as high as 100k for higher gain.  
Stage 2 gain set by R3/R2 ratio; R3 can be in the range of 20k-100k.  
Combined gain as drawn is about 25; a gain of 50 or so is possible.

www.logwell.com

**AnaLog Services, Inc.**

1169 Haynesville Road - Reynolds Station, KY 42368 (270) 276-5671 Fax: (270) 276-5588

<b>GO COSMOS GR Amp</b>	<b>GOGRP1.sch</b>
Sheet Size: A	Creation Date: 08/26/2007
Revision: 1.0	Modify Date: 11/16/2009
Drawn By: Syd H. Levine	
Sheet 1 of 1	