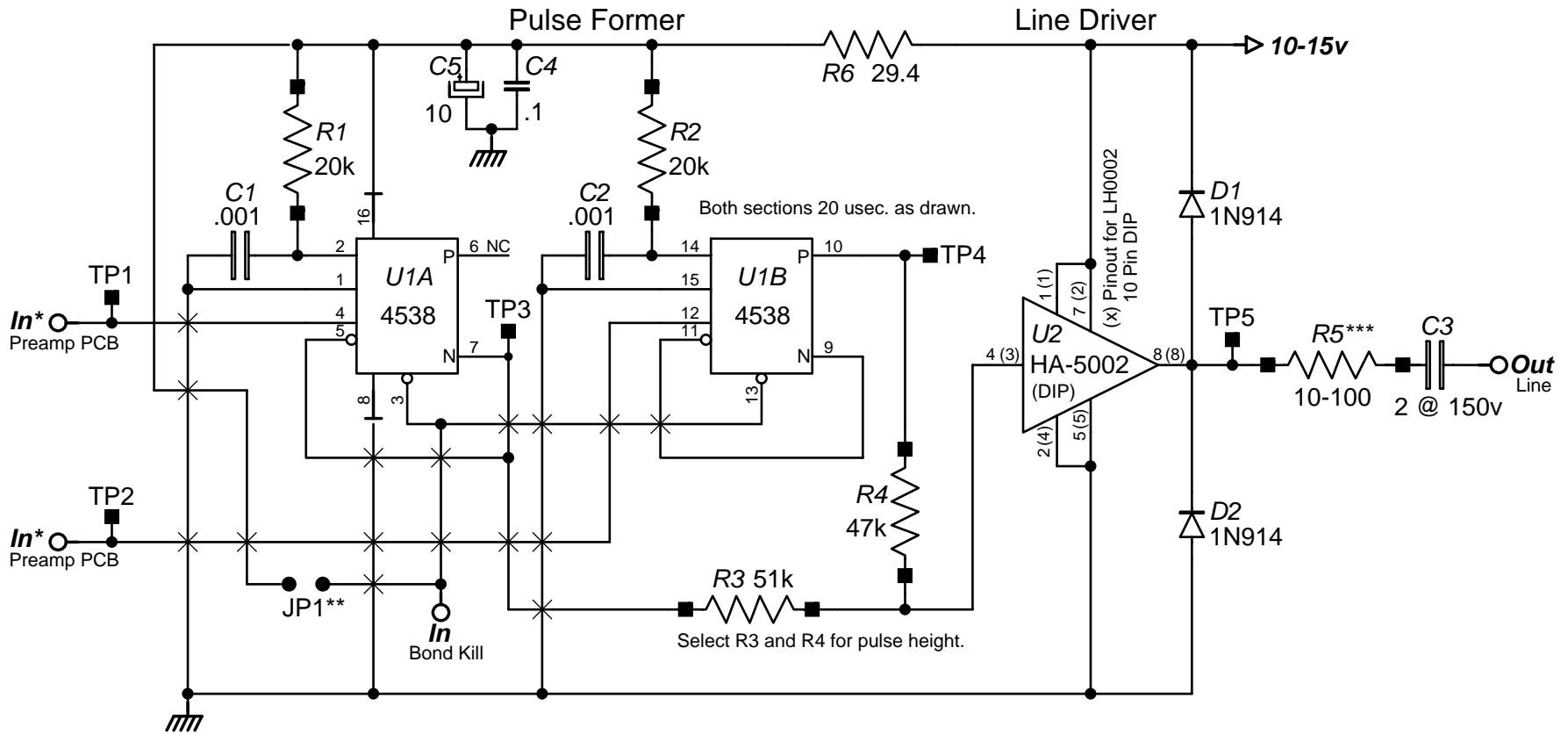


UNIVERSAL PULSE FORMER / LINE DRIVER

Dual Channel - Bond Kill Ready



Copyright 2007 by AnaLog Services, Inc. All rights reserved.
 Reproduction is unlawful without express written permission.

NOTES:

- * Ground any unused pulse input.
- ** If bond kill is not used, install jumper at JP1 ("clear" inputs to B+).
- *** R5 required for simultaneous bond logging; 10 ohms minimum.

AnaLog Services, Inc.

1169 Haynesville Road - Reynolds Station, KY 42368 (270) 276-5671 Fax: (270) 276-5588

Universal Line Driver

DHULD2.sch

Sheet Size: A

Creation Date: 07/28/2007

Drawn By: Syd H. Levine

Revision: 1.0

Modify Date: 08/05/2007

Sheet 1 of 1