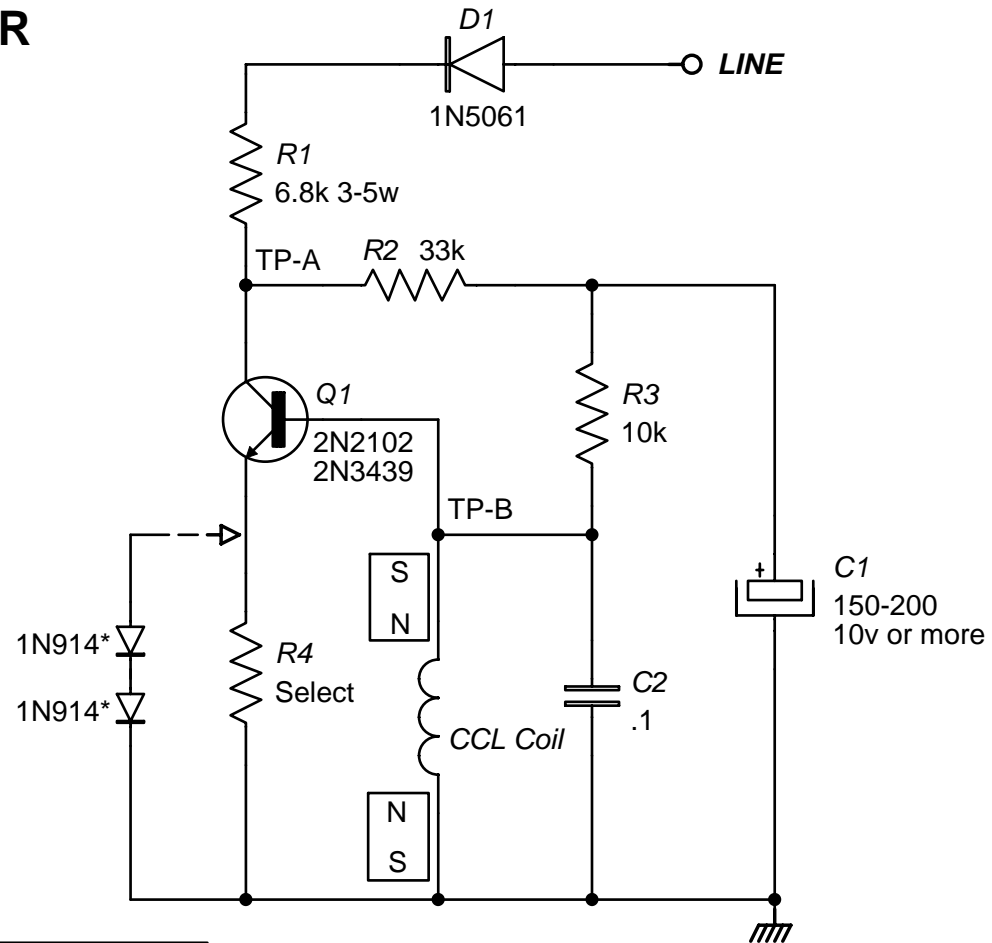
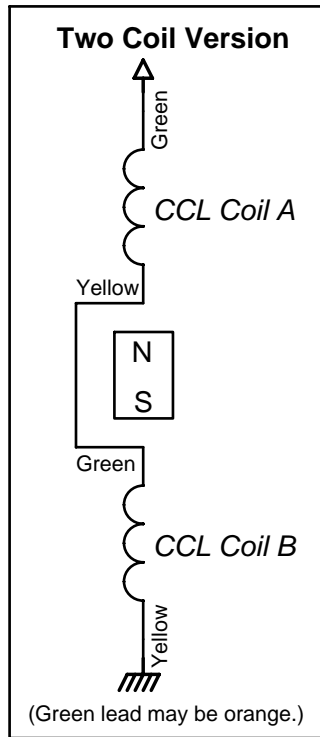


SIE DOWNHOLE CCL AMPLIFIER



NOTES:

This circuit typically draws 10-12 milliamps at 120 volts.

Use the 2N3439 for a more "bullet proof" circuit.

Select emitter resistor R4 for approximately 10 milliamp current draw. (10 ohms up to perhaps 500 ohms, but higher values reduce gain.)

* Diodes can replace R4 to reduce current while maintaining gain.

TP-A: 22 volts nominal (over 18 volts and below 40 volts or so).

TP-B: .61 volts nominal.

R2 and R3 are usually reversed in SIE production tools.

Coil resistances are in the range of 2-5 kilohms.

Copyright 1999 by AnaLog Services, Inc. All rights reserved.
Reproduction is unlawful without express written permission.

AnaLog Services, Inc.

1169 Haynesville Road - Reynolds Station, KY 42368 (270) 276-5671 Fax: (270) 276-5588

SIE Downhole CCL Amp

CCLSIEa.sch

Sheet Size: A

Creation Date: 08/24/1999

Drawn By: Syd H. Levine

Revision: 1.0

Modify Date: 08/03/2007

Sheet 1 of 1