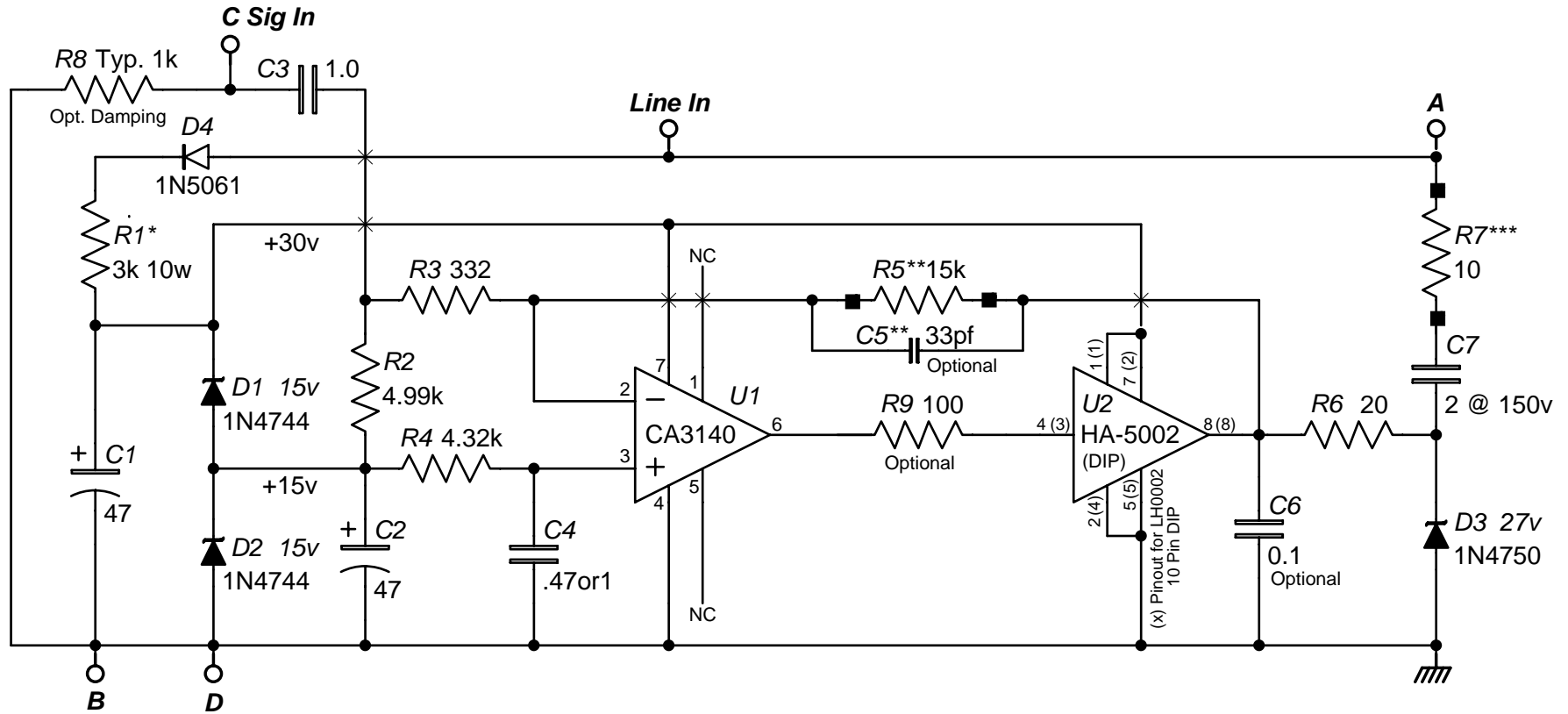


SIE BOND RECEIVER AMPLIFIER



Copyright 2007 by AnaLog Services, Inc. All rights reserved.
 Reproduction is unlawful without express written permission.

NOTES:

- * R1 can be replaced with Paul Knight's constant current gizmo.
- ** R5 selected to set gain (5-20k); C5 not required with CA3140.
- *** R7 necessary for calibrate circuit and/or gamma ray logging (10-250).

AnaLog Services, Inc.

1169 Haynesville Road - Reynolds Station, KY 42368 (270) 276-5671 Fax: (270) 276-5588

SIE Bond Amplifier

CBLAmp1.sch

Sheet Size: A	Creation Date: 08/18/2007	Drawn By: Syd H. Levine
Revision: 1.0	Modify Date: 08/19/2007	Sheet 1 of 1