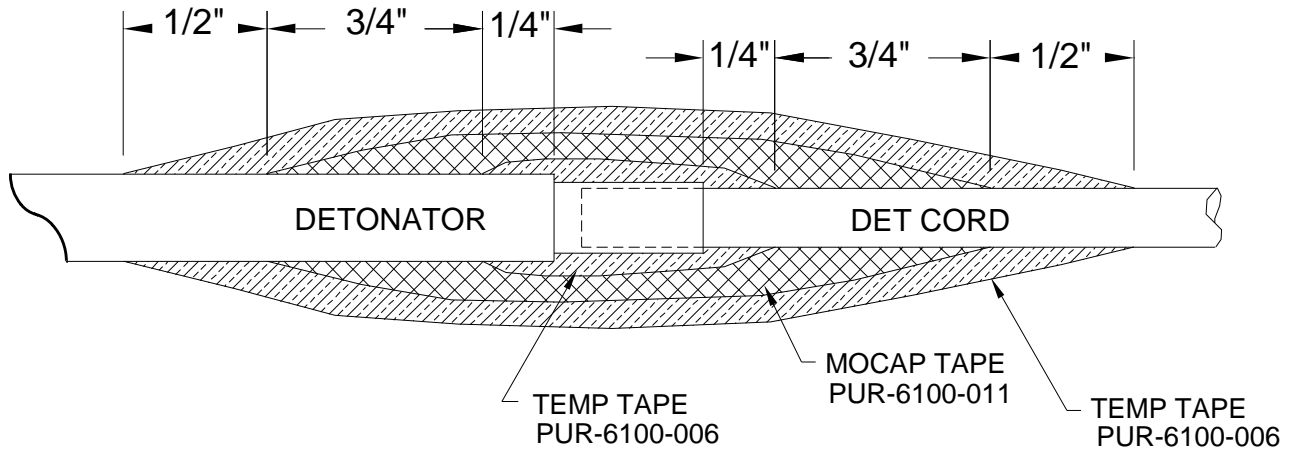




Owen

A CORE LABORATORIES COMPANY

Exposed Detonator Sealing Installation Instructions



Instructions:

1. Flush cut end of det cord with Owen Super Cutters.
2. Insert the cut end of the det cord into the opened end of the detonator until the cord stops. While holding detonator firmly, crimp the end with Owen Super Crimpers.
3. Using Temp Tape (PUR-6100-006) wrap over the two joints and past the joint 1/4", with 4 layers of tape.
4. Using 10" of Mocap Tape (PUR-6100-011), wrap over the first layer of tape and 3/4" past with four layers of tape at the joints.
5. Using Temp Tape (PUR-6100-006) cover the Mocap Tape with two smooth layers.
6. This procedure must be followed for all Owen Detonators used in exposed applications. Owen exposed detonators were designed and qualified using the sealing method. All QC tests are performed with the same procedure.

Consult **Responsibilities of Purchaser/User and Disclaimer of Warranties and Representations** on page 1.0 of the Detonator section prior to each purchase, use or handling of these products. Contact Owen Oil Tools at 1-817-551-0540, or 1-800-333-6936 in the United States, for additional copies.